

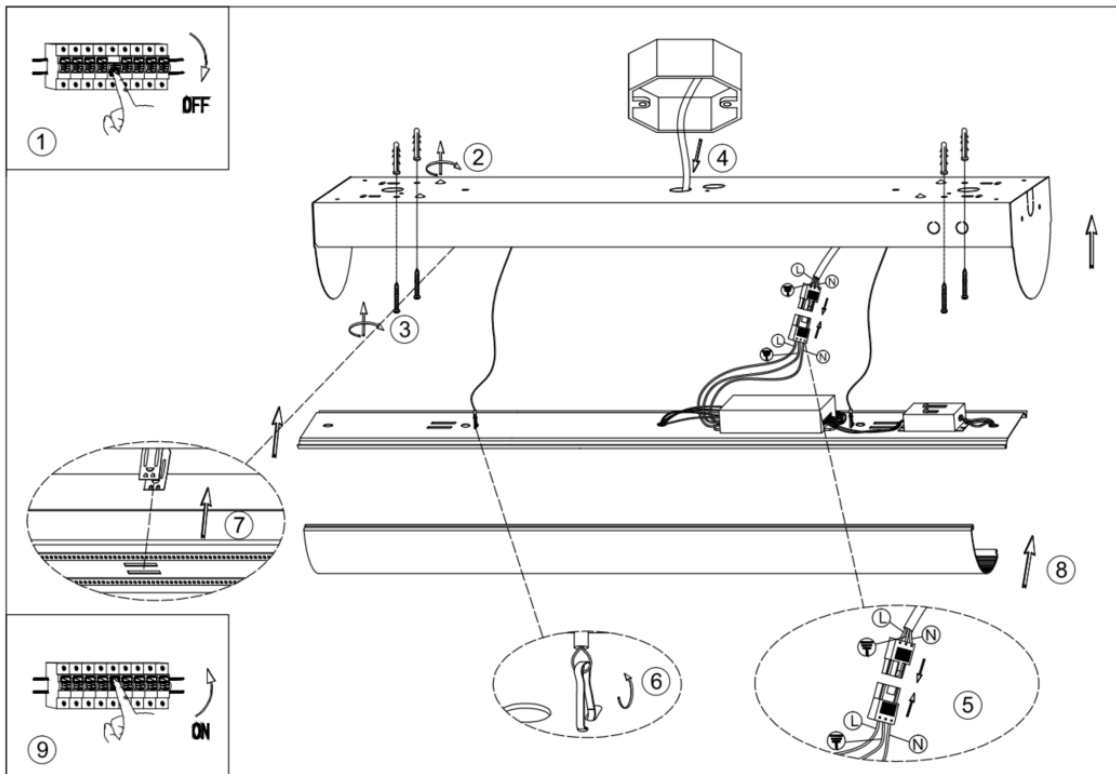
WARNING

- Risk of fire. Turn off power before installation.
- Risk of electronic shock. Install only by certified electrician with gloves.
- To be used in indoor dry and damp location only.
- If the luminaire exhibits undesirable operation (buzzing, flickering, not working etc.) ,immediately turn off power, remove luminaire and contact manufacturer.
- Do not make mass installation before testing.



INSTALLATION FOR SURFACE MOUNTING

1. Disconnect or turn off power before installation, see step ①.
If applicable: adjust the FlexWatt and/or FlexColor switches to desired wattage/lumen package and CCT.
**Note: that not all models have these adjustments. Check your part # and product specification sheet for more details.*
**Note: if applicable, lock out the adjustment switches to meet DLC requirements.*
2. Install the base to the ceiling, see step ②③.
3. Hold the LED gear tray, with one hand, hang the gear tray to the base with the safety chains on the base.
4. Make sure the power feeds are put into the fixture from the junction box. See step ④.
5. Make the electrical connection to the fixture in accordance with local electrical code. Make all necessary wiring connections, observing proper voltage and polarity. See step ⑤.
6. Once finished with the electrical connection, push the LED gear tray onto the base. See step ⑥ ⑦.
7. Reattached the lens to the base, make sure the lens is well attached. See step ⑧.
8. Connect or turn on the power, the light will be on, see step ⑨.
9. Adjust settings of the motion sensor (OCC) if desired. See separate instruction sheet for details.



Printed on paper that is FSC® Certified, SF® Certified Sourcing and Rainforest Alliance Certified™.
10% post consumer recycled content and certified fiber, it's the optimal environmental choice, because RemPhos cares.

RemPhos
lighting on target

May be protected under the following US patents - US 8,106569 | US 8,882,298 | Additional patents pending. Information is subject to change without notice.

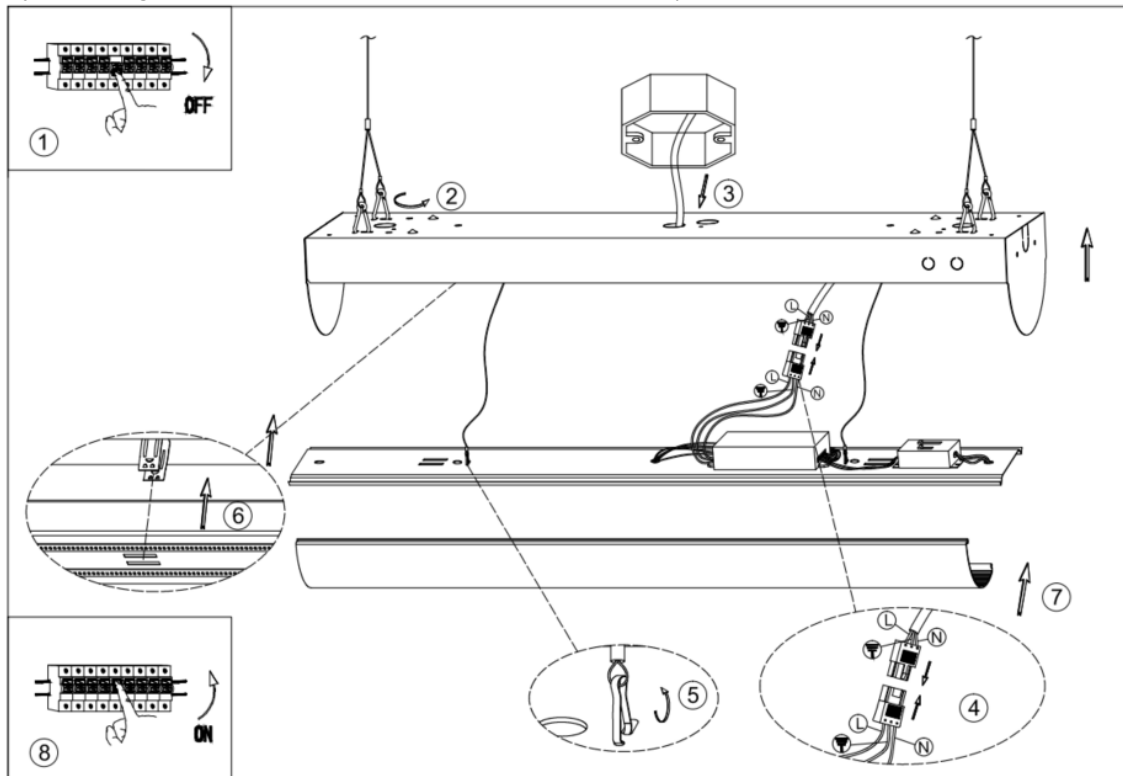
WARNING

- Risk of fire. Turn off power before installation.
- Risk of electronic shock. Install only by certified electrician with gloves.
- To be used in indoor dry and damp location only.
- If the luminaire exhibits undesirable operation (buzzing, flickering, not working etc.) ,immediately turn off power, remove luminaire and contact manufacturer.
- Do not make mass installation before testing.



INSTALLATION FOR SUSPENDED MOUNTING

1. Disconnect or turn off power before installation, see step ①.
If applicable: adjust the FlexWatt and/or FlexColor switches to desired wattage/lumen package and CCT.
**Note: that not all models have these adjustments. Check your part # and product specification sheet for more details.*
**Note: if applicable, lock out the adjustment switches to meet DLC requirements.*
2. Install the base to the ceiling with hanging cables (supplied separately), see step ②.
3. Hold the LED gear tray, with one hand, hang the gear tray to the base with the safety chains on the base.
4. Make sure the power feeds are put into the fixture from the junction box. See step ③.
5. Make the electrical connection to the fixture in accordance with local electrical code. Make all necessary wiring connections, observing proper voltage and polarity. See step ④.
6. Once finished with the electrical connection, push the LED gear tray onto the base. See step ⑤ ⑥.
7. Reattached the lens to the base, make sure the lens is well attached. See step ⑦.
8. Connect or turn on the power, the light will be on, see step ⑧.
9. Adjust settings of the motion sensor (OCC) if desired. See separate instruction sheet for details.



Printed on paper that is FSC® Certified, SF® Certified Sourcing and Rainforest Alliance Certified™.
10% post consumer recycled content and certified fiber, it's the optimal environmental choice, because RemPhos cares.

RemPhos
lighting on target

May be protected under the following US patents - US 8,106569 | US 8,882,298 | Additional patents pending. Information is subject to change without notice.